

SRS Circular Column Formwork

For perfect concrete surfaces



Edition 07 | 2013

PERI GmbH
Formwork Scaffolding Engineering

P.O. Box 1264

89259 Weissenhorn

Germany

Tel. +49 (0) 7309.950-0

Fax +49 (0) 7309.951-0

info@peri.com

www.peri.com

Important Notes

Without exception, all current safety regulations must be observed in those countries where our products are used.

The photos shown in this brochure feature construction sites in progress. For this reason, safety and anchor details in particular cannot always be considered as conclusive or final. These are subject to the risk assessment carried out by the contractor.

Safety instructions and load specifications are to be strictly observed at all times. Separate structural calculations are required for any deviations from the standard design data.

The information contained herein is subject to technical changes in the interests of progress. Errors and typographical mistakes reserved.

Content

SRS Circular Column Formwork

- 3 The column formwork with high production quality for perfect concrete surfaces
- 4 Variable – Column diameters in 5 cm increments
- 5 Two-piece – Fast assembly with only two column halves and integrated spanner
- 6 Extendable – Four panel heights for height adjustments in 30 cm increments
- 7 Site-compliant details – Safe and fast for perfect circular concrete columns
- 8 Components



SRS Circular Column Formwork

High production quality for ensuring perfect concrete surfaces

As formwork for circular columns, PERI SRS prevents the freshly poured concrete from escaping thanks to the special design of the panel joints which results in the realization of perfect concrete surfaces. The SRS column formwork has been designed for a very high fresh concrete pressure of 150 kN/m^2 which allows fast concreting to take place. The high quality powder coating prevents concrete adhesion and reduces cleaning requirements.

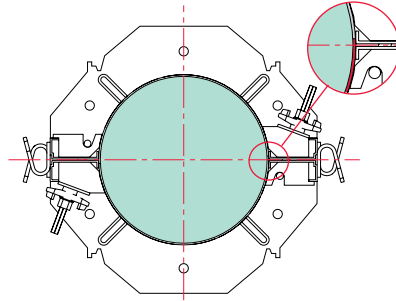
- **Variable**
Column cross-sections in 5 cm increments from 25 to 70 cm, other dimensions on request.
- **Two-piece**
Fast assembly with only two column halves and integrated spanner.
- **Extendable**
Four element heights allow optimal height adjustments in 30 cm increments.



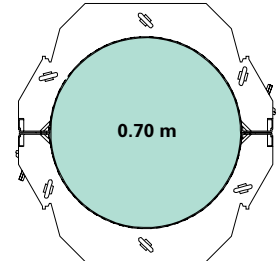
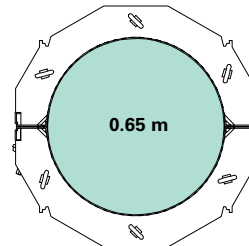
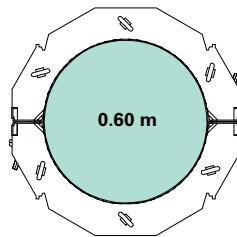
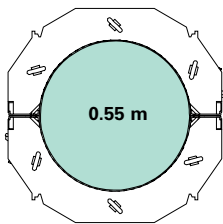
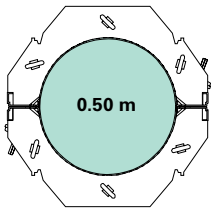
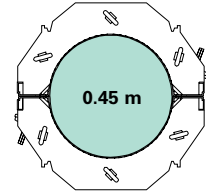
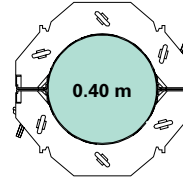
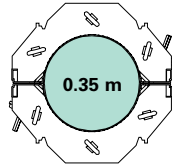
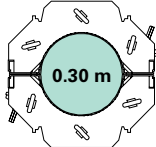
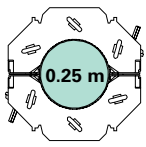
Variable

Column diameters in 5 cm increments

With SRS, column diameters from 25 cm to 70 cm can be formed in 5 cm increments. On request, special dimensions up to a diameter of 120 cm are available. The formlining overlap at the joint between the two halves of the formwork ensures tight element joints and prevents bleeding of the concrete.



The formlining overlaps at the position where the two column halves meet. This means that the joints are very tight thus preventing any bleeding of the concrete.

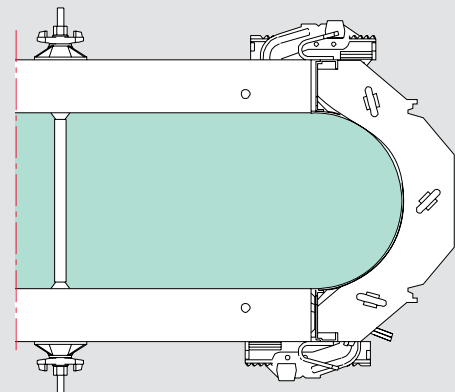


Using SRS for connecting to panel formwork.

With the PERI BFD Alignment Coupler and the Circular Column Adapter Strip, the SRS column halves can be connected to TRIO and MAXIMO panel formwork as well as to RUNDFLEX circular formwork. The number of BFD alignment couplers used when connecting to panel formwork corresponds to the number of tie yokes.



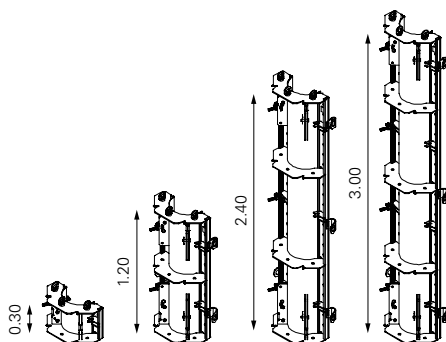
The TRIO Circular Column Adapter Strip is required only on the side with the formlining offset and replaces a 10 mm thick baton.



Two-piece

Fast assembly with only two column halves and integrated spanner

The SRS column formwork consists of two formwork halves which are braced together. The spanners allow shuttering without any special tools, only a hammer is required.



The four element heights (3.00 m, 2.40 m, 1.20 m and 0.30 m) provide ideal height adjustments.



The tie yokes with self-cleaning hexagonal thread are permanently connected to the panel and cannot be lost.



A push-pull prop connection is available on each column panel.

Extendable

Four element heights for height adjustments in 30 cm increments

With four panel heights (3.00 m, 2.40 m, 1.20 m and 0.30 m), an optimal height adjustment in 30-cm increments is feasible – up to 8.40 m depending on the column diameter. Height extensions are carried out using ring bolts which are fixed to the panels. Assembly is simple and the ring bolts also serve as crane suspension.

The ring bolts used for extensions are available on each panel. When extending, only a hammer is required.

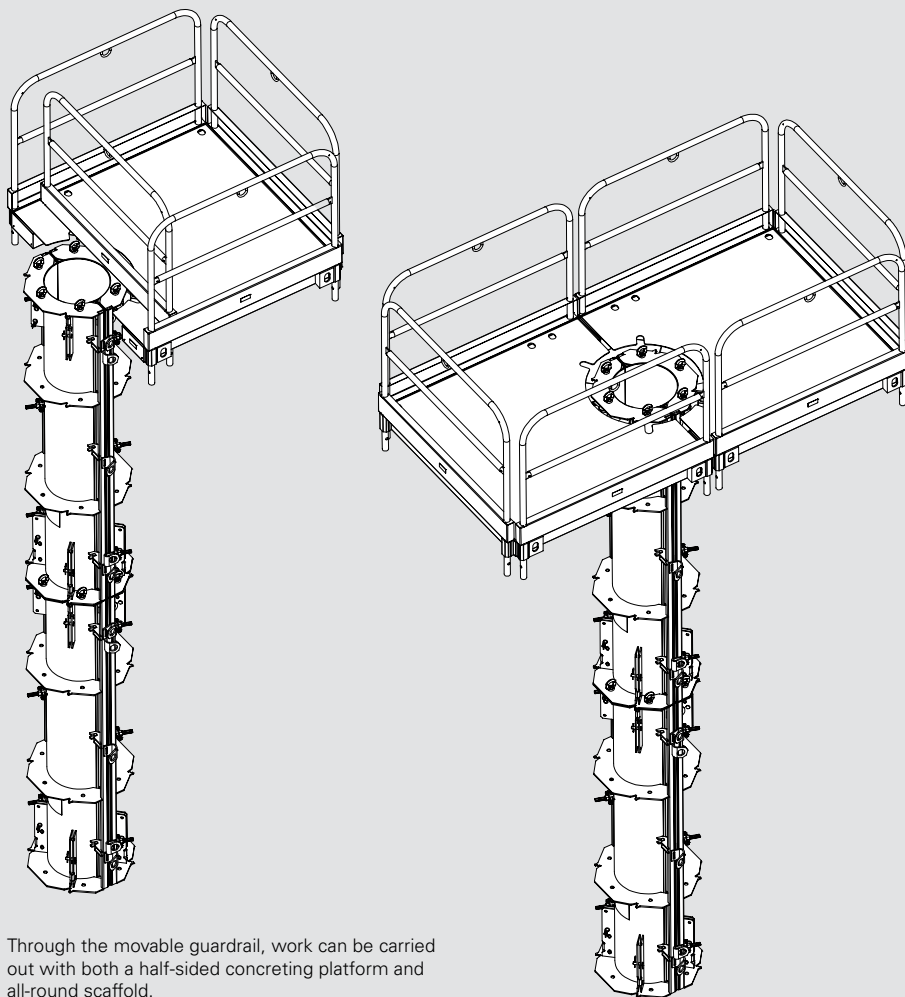


Site-compliant details

Safe and fast

for perfect circular concrete columns

Matching concreting platforms and access ladders provide safe working conditions at all heights and for any cross-section. Thanks to the low weight of the SRS circular column platform, assembly can be carried out by hand.



By means of a captive bolt, the telescopic supporting struts of the concreting platform can be adjusted very quickly to suit all column diameters.

Through the movable guardrail, work can be carried out with both a half-sided concreting platform and all-round scaffold.

The ring bolt is used to release the two halves of the column - only a hammer is required. This facilitates fast and easy striking.



Integrated stacking aids on the column panels provide safe, non-slip stacks of units. This reduces storage area requirements.



The crane eyes on the column halves serve to ensure easy transportation by crane.



Item no.	Weight kg		B	X	Y
Circular Column Panels					
045010	23,200	Circular Column Panel Ø 25 cm h = 0.3 m	620	290	200
045011	63,000	Circular Column Panel Ø 25 cm h = 1.2 m	620	290	200
045012	98,900	Circular Column Panel Ø 25 cm h = 2.4 m	620	290	200
045013	120,000	Circular Column Panel Ø 25 cm h = 3.0 m	620	290	200
045020	25,200	Circular Column Panel Ø 30 cm h = 0.3 m	670	310	210
045021	67,700	Circular Column Panel Ø 30 cm h = 1.2 m	670	310	210
045022	107,000	Circular Column Panel Ø 30 cm h = 2.4 m	670	310	210
045023	130,000	Circular Column Panel Ø 30 cm h = 3.0 m	670	310	210
045030	26,400	Circular Column Panel Ø 35 cm h = 0.3 m	720	340	210
045031	71,500	Circular Column Panel Ø 35 cm h = 1.2 m	720	340	210
045032	114,000	Circular Column Panel Ø 35 cm h = 2.4 m	720	340	210
045033	139,000	Circular Column Panel Ø 35 cm h = 3.0 m	720	340	210
045040	28,400	Circular Column Panel Ø 40 cm h = 0.3 m	770	360	230
045041	76,300	Circular Column Panel Ø 40 cm h = 1.2 m	770	360	230
045042	123,000	Circular Column Panel Ø 40 cm h = 2.4 m	770	360	230
045043	150,000	Circular Column Panel Ø 40 cm h = 3.0 m	770	360	230
045050	31,000	Circular Column Panel Ø 45 cm h = 0.3 m	820	390	250
045051	82,000	Circular Column Panel Ø 45 cm h = 1.2 m	820	390	250
045052	132,000	Circular Column Panel Ø 45 cm h = 2.4 m	820	390	250
045053	161,000	Circular Column Panel Ø 45 cm h = 3.0 m	820	390	250
045060	32,800	Circular Column Panel Ø 50 cm h = 0.3 m	870	410	240
045061	86,500	Circular Column Panel Ø 50 cm h = 1.2 m	870	410	240
045062	140,000	Circular Column Panel Ø 50 cm h = 2.4 m	870	410	240
045063	171,000	Circular Column Panel Ø 50 cm h = 3.0 m	870	410	240

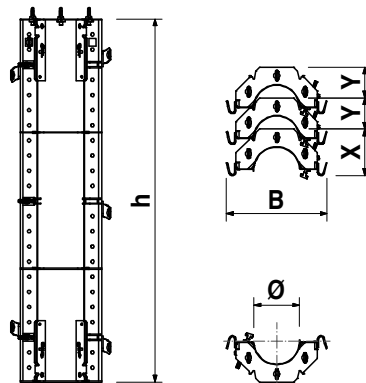
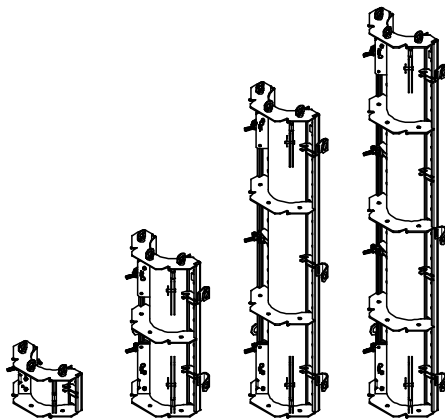
Circular column panel made of steel. With captive column bolt.

Note

Item no. and weight are per column element (half-shell).

Technical Data

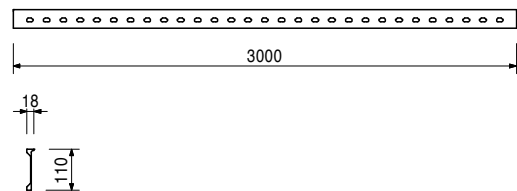
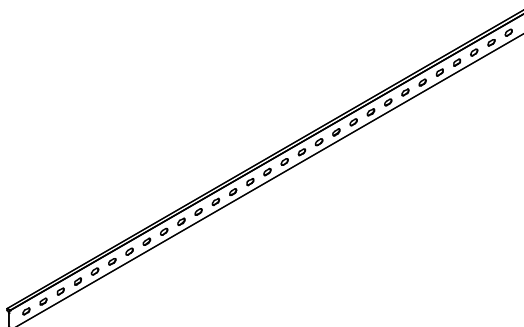
Load-bearing point capacity 1.0 t.



045200 4,070

Adapter Strip SRS-TRIO l = 3,00 m

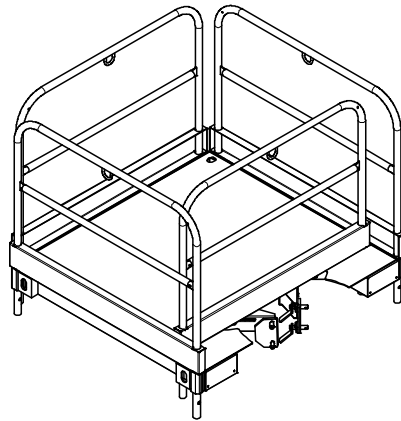
For connecting SRS circular column elements with TRIO panel formwork. Made of aluminium.



Item no.	Weight kg
045210	135,000

Circular Column Platform 25-70, compl.
 Working and concreting platform for SRS Steel
 Circular Column Ø 25 cm up to 70 cm.

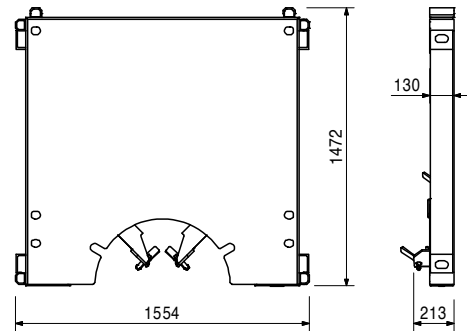
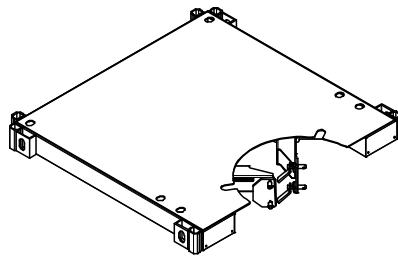
Complete with
 1 pc. 045211 Circular Column Landing 25-70
 4 pc. 037430 Platform Guardrail 134, galv.



045211	67,000
--------	--------

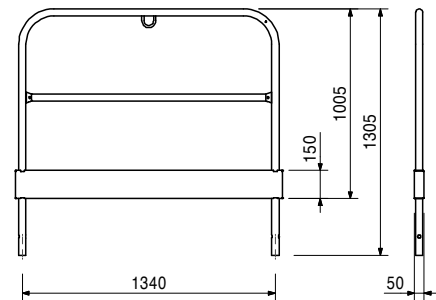
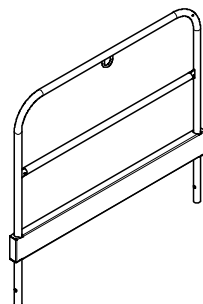
Circular Column Landing 25-70
 Fits every circular column cross-section from
 Ø 25 cm to 70 cm in 5 cm increments.

Technical Data
 Permissible load 150 kg/m².



037430	17,100
--------	--------

Platform Guardrail 134, galv.
 As guardrail for PERI Concreting Platforms. Locks
 in place automatically.



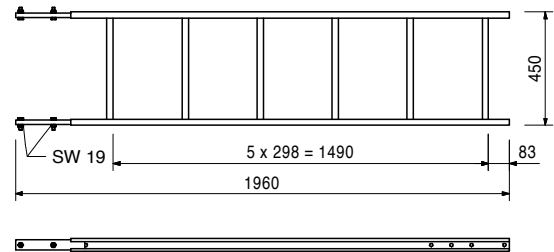
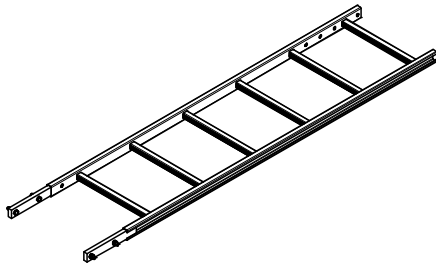
SRS Column Formwork



Item no.	Weight kg
051410	11,700

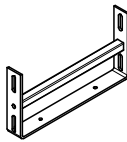
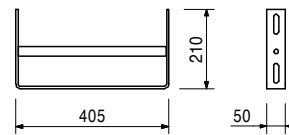
Ladder 180/6, galv.
As access for PERI formwork systems.

Complete with
4 pc. 710224 Bolt ISO 4017 M12 x 40-8.8, galv.
4 pc. 710381 Nut ISO 7042 M12-8, galv.



051460	2,180
--------	-------

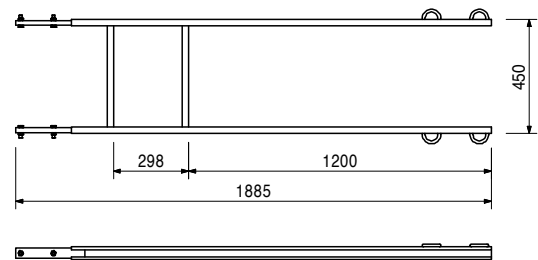
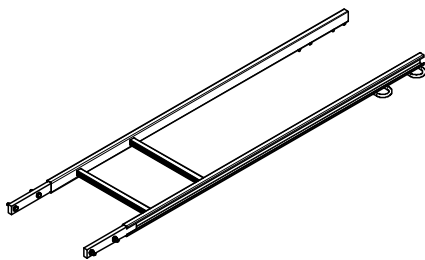
Ladder Base, galv.
As bottom ladder connection and for securing ladders against sliding on the scaffold decks.



103724	10,400
--------	--------

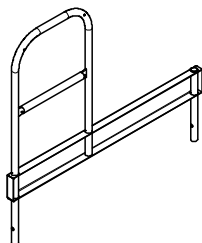
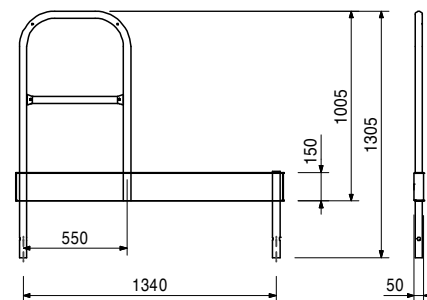
End Ladder 180/2, galv.
As access for PERI formwork systems.

Complete with
4 pc. 710224 Bolt ISO 4017 M12 x 40-8.8, galv.
4 pc. 710381 Nut ISO 7042 M12-8, galv.



103417	14,100
--------	--------

Exit Handrail Post SRS 134, galv.
For circular column landings 25-70. 1 for each access.



SRS Column Formwork

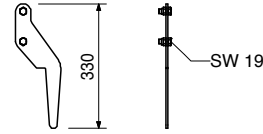


Item no.	Weight kg
103718	0,684

Ladder Hook, galv.
For adjusting the bottom ladder.
Always use in pairs.

Complete with
2 pc. 710266 Bolt ISO 4017 M12 x 25-8.8, galv.
2 pc. 710381 Nut ISO 7042 M12-8, galv.

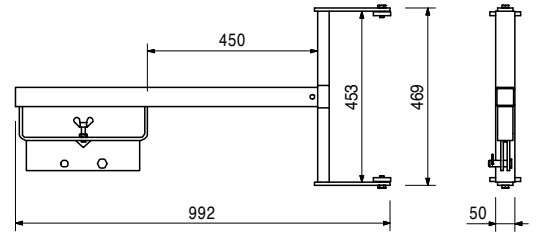
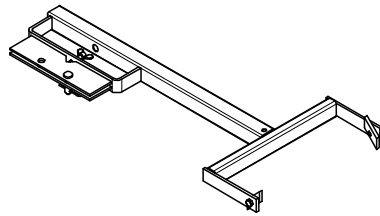
Note
Wrench size SW 18.



103374	9,710
--------	-------

Ladder Connector SRS, galv.
For connecting ladders to SRS circular column elements up to Ø 70 cm.

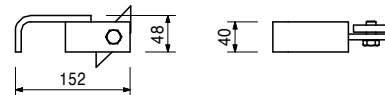
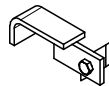
Complete with
2 pc. 701763 Clamping Plate FI 25 x 10 x 90
1 pc. 710266 Bolt ISO 4017 M12 x 25-8.8, galv.



104196	0,698
--------	-------

SRS Ladder holder
For fixing access ladders to the SRS access handrail.
2 for each ladder.

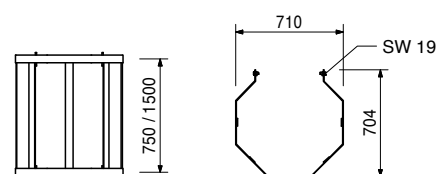
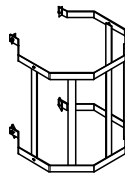
Complete with
1 pc. 701763 Clamping Plate FI 25 x 10 x 90
1 pc. 710266 Bolt ISO 4017 M12 x 25-8.8, galv.



104132	15,600
051450	25,200

Ladder Safety Cages, galv.
Ladder Safety Cage 75, galv.
Ladder Safety Cage 150, galv.
Ladder safety cage for PERI access ladders.

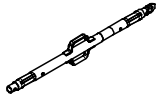
Complete with
4 pc. 710266 Bolt ISO 4017 M12 x 25-8.8, galv.
4 pc. 701763 Clamping Plate FI 25 x 10 x 90



Item no.	Weight kg
117466	10,600

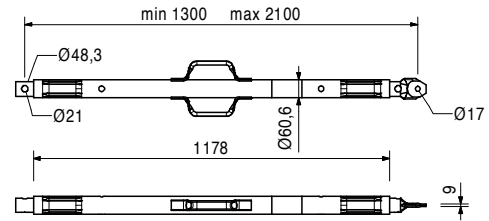
Push-Pull Prop RS 210, galv.

Extension length L = 1.30 – 2.10 m.
For aligning PERI formwork systems and precast concrete elements.



Note

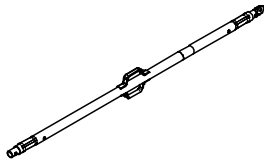
Permissible load see PERI Design Tables.



118238	12,100
--------	--------

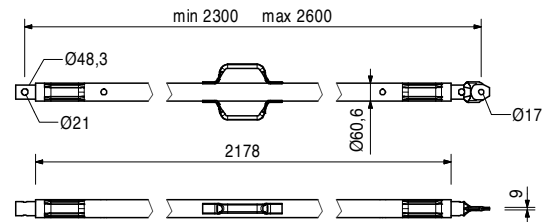
Push-Pull Prop RS 260, galv.

Extension length L = 2.30 – 2.60 m.
For aligning PERI formwork systems and precast concrete elements.



Note

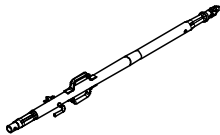
Permissible load see PERI Design Tables.



117467	15,400
--------	--------

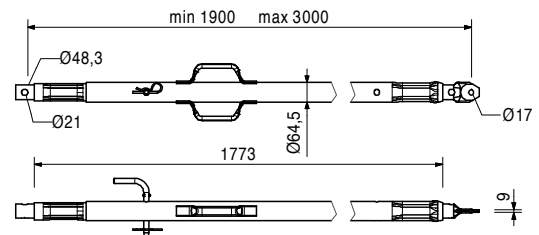
Push-Pull Prop RS 300, galv.

Extension length L = 1.90 – 3.00 m.
For aligning PERI formwork systems and precast concrete elements.



Note

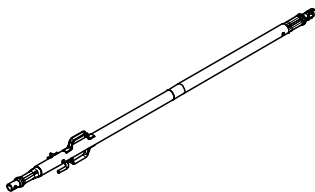
Permissible load see PERI Design Tables.



117468	22,900
--------	--------

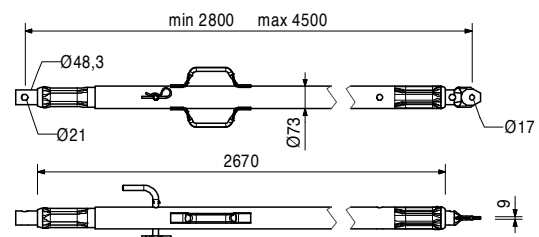
Push-Pull Prop RS 450, galv.

Extension length L = 2.80 – 4.50 m.
For aligning PERI formwork systems and precast concrete elements.



Note

Permissible load see PERI Design Tables.



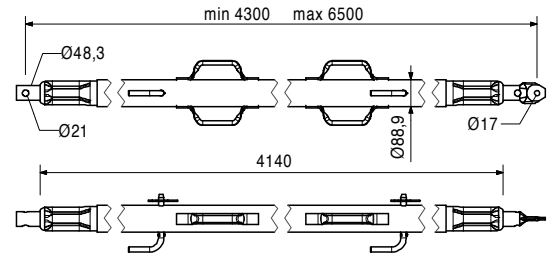
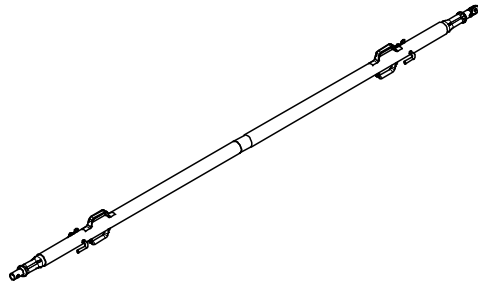
SRS Column Formwork



Item no.	Weight kg
117469	39,900

Push-Pull Prop RS 650, galv.
 Extension length L = 4.30 – 6.50 m.
 For aligning PERI formwork systems and precast concrete elements.

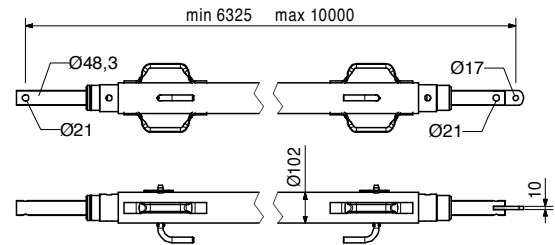
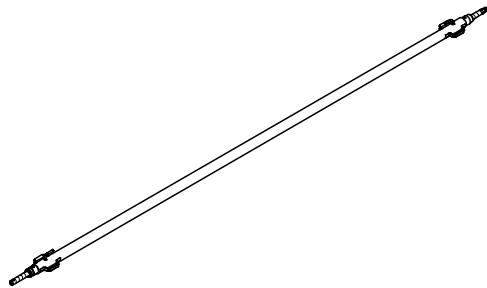
Note
 Permissible load see PERI Design Tables.



028990	115,000
--------	---------

Push-Pull Prop RS 1000, galv.
 Extension length L = 6.40 – 10.00 m.
 For aligning PERI formwork systems.

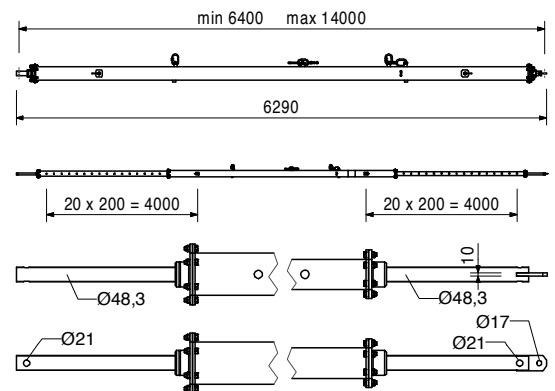
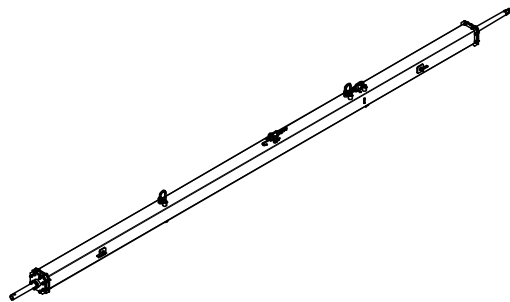
Note
 Permissible load see PERI Design Tables.



103800	271,000
--------	---------

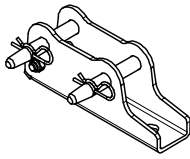
Push-Pull Prop RS 1400, galv.
 Extension length L = 6.40 – 14.00 m.
 For aligning PERI formwork systems.

Note
 Permissible load see PERI Design Tables.
 Chain can be operated from bottom.

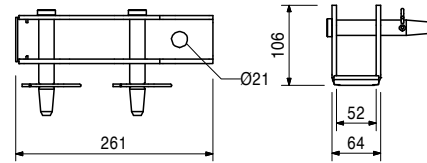


Item no.	Weight kg
117343	3,250

Base Plate-2 for RS 210 – 1400, galv.
For assembly of Push-Pull Props RS 210, 260, 300, 450, 650, 1000 and 1400.



Complete with
2 pc. 105400 Pin Ø 20 x 140, galv.
2 pc. 018060 Cotter Pin 4/1, galv.

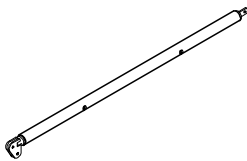


124777	0,210
--------	-------

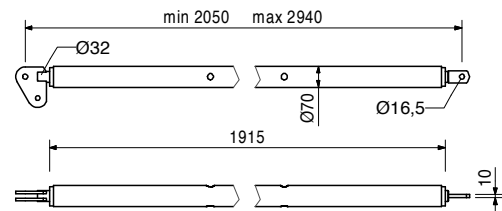
Accessories
Anchor Bolt PERI 14/20 x 130

028010	18,000
--------	--------

Push-Pull Prop RSS I
Extension length L = 2.05 – 2.94 m.
For aligning PERI formwork systems.

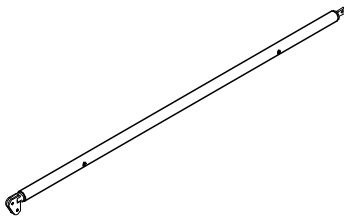


Note
Permissible load: see PERI Design Tables.

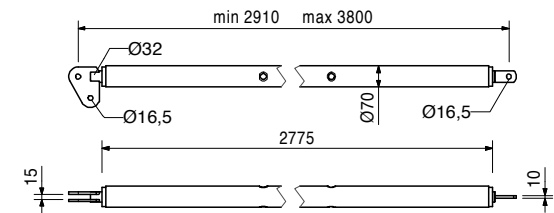


028020	22,100
--------	--------

Push-Pull Prop RSS II
Extension length L = 2.91 – 3.80 m.
For aligning PERI formwork systems.

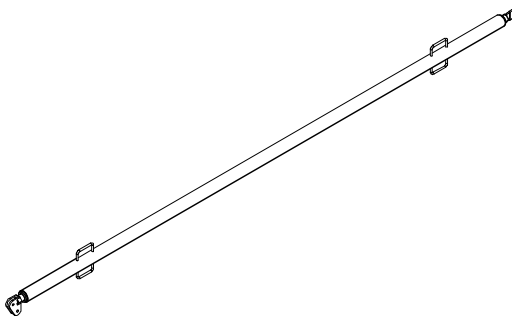


Note
Permissible load: see PERI Design Tables.

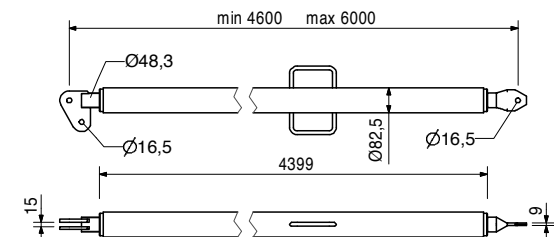


028030	38,400
--------	--------

Push-Pull Prop RSS III
Extension length L = 4.60 – 6.00 m.
For aligning PERI formwork systems.

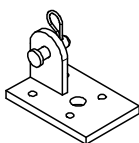


Note
Permissible load: see PERI Design Tables.

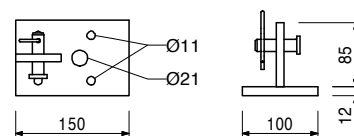


106000	1,820
--------	-------

Base Plate-2 for RSS, galv.
For assembly of RSS push-pull props.



Complete with
1 pc. 027170 Pin Ø 16 x 42, galv.
1 pc. 018060 Cotter Pin 4/1, galv.



124777	0,210
--------	-------

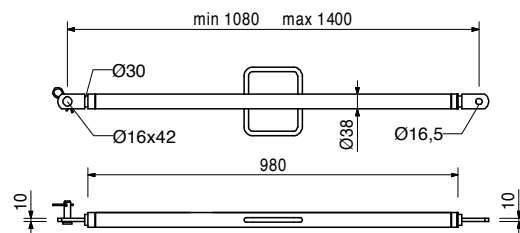
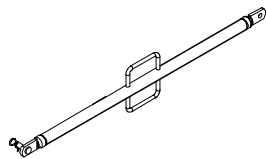
Accessories
Anchor Bolt PERI 14/20 x 130

Item no.	Weight kg
028110	5,180

Kicker AV 140
 Extension length L = 1.08 – 1.40 m.
 For aligning PERI formwork systems.

Complete with
 1 pc. 027170 Bolt Ø 16 x 42, galv.
 1 pc. 018060 Cotter Pin 4/1, galv.

Note
 Permissible load: see PERI Design Tables.

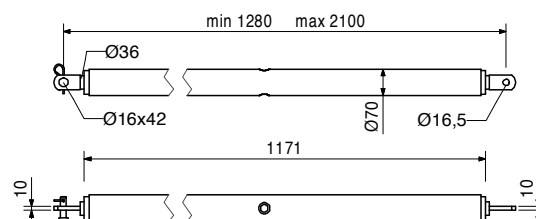
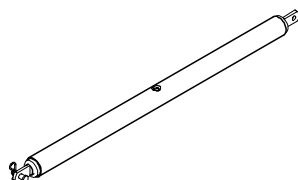


108135	12,900
--------	--------

Kicker AV 210
 Extension length L = 1.28 – 2.10 m.
 For aligning PERI formwork systems.

Complete with
 1 pc. 027170 Bolt Ø 16 x 42, galv.
 1 pc. 018060 Cotter Pin 4/1, galv.

Note
 Permissible load: see PERI Design Tables.

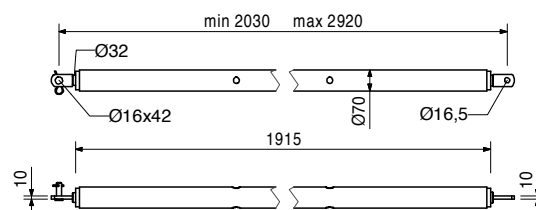
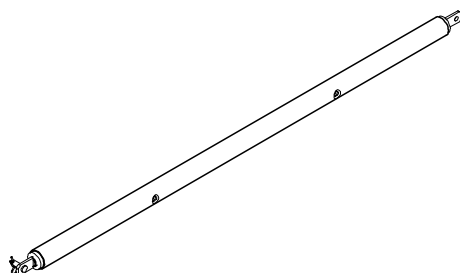


028120	16,900
--------	--------

Kicker AV RSS III
 Extension length L = 2.03 – 2.92 m.
 For aligning PERI formwork systems.

Complete with
 1 pc. 027170 Pin Ø 16 x 42, galv.
 1 pc. 018060 Cotter Pin 4/1, galv.

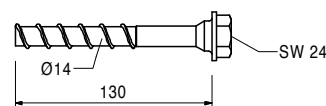
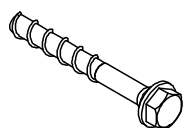
Note
 Permissible load: see PERI Design Tables.



124777	0,210
--------	-------

Anchor Bolt PERI 14/20 x 130
 For temporary fixation on reinforced concrete structures.

Note
 Wrench size SW 24.
 Drilling Ø 14 mm.
Technical Data
 See PERI data sheet!



PERI International

PERI

01 Germany
PERI GmbH
 Rudolf-Diesel-Strasse
 89264 Weissenhorn
 info@peri.com
 www.peri.com



02 France
 PERI S.A.S.
 77109 Meaux Cedex
 peri.sas@peri.fr
 www.peri.fr

03 Switzerland
 PERI AG
 8472 Ohringen
 info@peri.ch
 www.peri.ch

04 Spain
 PERI S.A.U.
 28110 Algete - Madrid
 info@peri.es
 www.peri.es

05 Belgium/Luxembourg
 N.V. PERI S.A.
 1840 Londerzeel
 info@peri.be
 www.peri.be

06 Netherlands
 PERI Holding B.V.
 5480 AH-Schijndel
 info@peri.nl
 www.peri.nl

07 USA
 PERI Formwork Systems, Inc.
 Elkridge, MD 21075
 info@peri-usa.com
 www.peri-usa.com

08 Indonesia
 PT Beton Perkasa Wijaksana
 Jakarta 10210
 bpw@betonperkasa.com
 www.peri.com

09 Italy
 PERI S.p.A.
 20060 Basiano
 info@peri.it
 www.peri.it

10 Japan
 PERI Japan K.K.
 Tokyo 103-0015
 info@perijapan.jp
 www.perijapan.jp

11 United Kingdom/Ireland
 PERI Ltd.
 Rugby, CV23 0AN
 info@peri.ltd.uk
 www.peri.ltd.uk

12 Turkey
 PERI Kalip ve Iskeleleri Sanayi
 ve Ticaret Ltd.
 Esenyurt / Istanbul 34510
 info@peri.com.tr
 www.peri.com.tr

13 Hungary
 PERI Kft.
 1181 Budapest
 info@peri.hu
 www.peri.hu

14 Malaysia
 PERI Formwork Malaysia Sdn. Bhd.
 43300 Seri Kembangan,
 Selangor Darul Ehsan
 info@perimalaysia.com
 www.perimalaysia.com

15 Singapore
 PERI ASIA Pte. Ltd
 Singapore 387355
 pha@periasia.com
 www.periasia.com

16 Austria
 PERI Ges.mbh
 3134 Nußdorf ob der Traisen
 office@peri.at
 www.peri.at

17 Czech Republic
 PERI spol. s r.o.
 252 42 Jesenice u Prahy
 info@peri.cz
 www.peri.cz

18 Denmark
 PERI Danmark A/S
 2670 Greve
 peri@peri.dk
 www.peri.dk

19 Finland
 PERI Suomi Ltd. Oy
 05460 Hyvinkää
 info@perisuomi.fi
 www.perisuomi.fi

20 Norway
 PERI Norge AS
 3036 Drammen
 info@peri.no
 www.peri.no

21 Poland
 PERI Polska Sp. z o.o.
 05-860 Plochocin
 info@peri.com.pl
 www.peri.com.pl

22 Sweden
 PERIform Sverige AB
 30262 Halmstad
 peri@periform.se
 www.periform.se

23 Korea
 PERI (Korea) Ltd.
 Seoul 135-936
 info@perikorea.com
 www.perikorea.com

24 Portugal
 Pericofragens Lda.
 2790-326 Queijas
 info@peri.pt
 www.peri.pt

25 Argentina
 PERI S.A.
 B1625GPA Escobar – Bs. As.
 info@peri.com.ar
 www.peri.com.ar

26 Brazil
 PERI Formas e
 Escoramentos Ltda.
 Vargem Grande Paulista – SP
 info@peribrasil.com.br
 www.peribrasil.com.br

27 Chile
 PERI Chile Ltda.
 Colina, Santiago de Chile
 perichile@peri.cl
 www.peri.cl

28 Romania
 PERI România SRL
 077015 Balotești
 info@peri.ro
 www.peri.ro

29 Slovenia
 PERI Agency
 2000 Maribor
 peri.slo@triera.net
 www.peri.com

30 Slovakia
 PERI spol. s r.o.
 903 01 Senec
 info@peri.sk
 www.peri.sk

31 Australia
 PERI Australia Pty. Ltd.
 Glendenning NSW 2761
 info@periaus.com.au
 www.periaus.com.au

32 Estonia
 PERI AS
 76406 Saku vald
 Harjumaa
 peri@peri.ee
 www.peri.ee

33 Greece
 PERI Hellas Solely Owned Ltd.
 194 00 Koropi
 info@perihellas.gr
 www.perihellas.gr

34 Latvia
 PERI SIA
 2118 Salaspils novads, Rigas rajons
 info@peri-latvija.lv
 www.peri-latvija.lv

35 United Arab Emirates
 PERI (L.L.C.)
 Dubai U.A.E.
 perillc@perime.com
 www.perime.com

36 Canada
 PERI Formwork Systems, Inc.
 Bolton, ON – L7E 1K1
 info@peri.ca
 www.peri.ca



- 37 Lebanon**
PERI Representative Office
90416 – Jdeideh
lebanon@peri.de
www.peri.com
- 38 Lithuania**
PERI UAB
02300 Vilnius
info@peri.lt
www.peri.lt
- 39 Morocco**
PERI S.A.U.
Tanger
peri25@menara.ma
www.peri.com
- 40 Israel**
PERI Formwork
Engineering Ltd.
Rosh Ha'ayin, 48104
info@peri.co.il
www.peri.co.il
- 41 Bulgaria**
PERI Bulgaria EOOD
1839 Sofia
peri.bulgaria@peri.bg
www.peri.bg
- 42 Iceland**
Armar ehf.
220 Hafnarfjörður
armar@armar.is
www.armar.is
- 43 Kazakhstan**
TOO PERI Kazakhstan
050000 Almaty
peri@peri.kz
www.peri.kz
- 44 Russian Federation**
OOO PERI
142407, Noginsk District
moscow@peri.ru
www.peri.ru
- 45 South Africa**
PERI (Pty) Ltd
7600 Stellenbosch
info@peri.co.za
www.peri.co.za
- 46 Ukraine**
PERI Ukraina
07400 Brovary
peri@peri.ua
www.peri.ua
- 47 Egypt**
Egypt Branch Office
11341 Nasr City /Cairo
info@peri.com.eg
www.peri.com.eg
- 48 Serbia**
PERI – Oplate d.o.o.
22310 Šimanovci
office@peri.rs
www.peri.rs
- 49 Mexico**
PERI Cimbras y Andamios,
S.A. de C.V.
Estado de México, Huehuetoca
info@peri.com.mx
www.peri.com.mx
- 50 Azerbaijan**
PERI Representative Office
Baku
peribaku@peri.com.tr
www.peri.com.tr
- 51 Turkmenistan**
PERI Kalıp ve İskeleleri
Aşgabat
ahmet.kadioglu@peri.com.tr
www.peri.com.tr
- 52 Belorussia**
IOOO PERI Belarus
220100 Minsk
info@peri.by
www.peri.by
- 53 Croatia**
PERI oplate i skele d.o.o.
10 250 Lučko-Zagreb
info@peri.com.hr
www.peri.com.hr
- 54 India**
PERI (India) Pvt Ltd
Mumbai – 400064
info@peri.in
www.peri.in
- 55 Jordan**
PERI GmbH - Jordan
11947 Amman
jordan@peri.com
www.peri.com
- 56 Kuwait**
PERI Kuwait Company WLL
13011 Kuwait
kuwait@peri.com
www.peri.com
- 57 Saudi Arabia**
PERI Saudi Arabia Com. Ltd.
21463 Jeddah
info@peri.com.sa
www.peri.com.sa
- 58 Qatar**
PERI Qatar LLC
P.O.Box: 31295 - Doha
info@periqatar.com
www.periqatar.com
- 59 Algeria**
SarI PERI
Kouba 16092, Alger
info@peri.com
www.peri.com
- 60 Albania**
PERI formwork and
scaffolding Sh.p.k.
Tirane
erti.hasanaj@peri.com.tr
www.peri.com.tr
- 61 Peru**
PERI Peruana S.A.C.
Villa El Salvador, Lima
contacto@peri.com.pe
www.peri.com.pe
- 62 Panama**
PERI Panama Inc.
0832-00155 Panama City
info@peri.com.pa
www.peri.com.pa
- 63 Angola**
Pericofragens, Lda.
Luanda
renato.portugal@peri.pt
www.peri.pt
- 64 Nigeria**
Heights Access Nigeria Ltd.
Victoria Island, Lagos
info@heightsaccessng.com
www.heightsaccessng.com
- 65 Oman**
PERI (L.L.C.)
Muscat
perimct@perime.com
www.perime.com
- 66 Colombia**
PERI S.A.S. Colombia
Chapinero Alto, Bogotá
peri.colombia@peri.com.co
www.peri.com.co

**The optimal System
for every Project and
every Requirement**



Wall Formwork



Column Formwork



Slab Formwork



Climbing Systems



Bridge Formwork



Tunnel Formwork



Shoring Systems



Construction Scaffold



Facade Scaffold



Industrial Scaffold



Access



Protection Scaffold



Safety Systems



System-Independent Accessories



Services



PERI GmbH
Formwork Scaffolding Engineering
 Rudolf-Diesel-Strasse 19
 89264 Weissenhorn
 Germany
 Tel. +49 (0) 7309.950-0
 Fax +49 (0) 7309.951-0
 info@peri.com
 www.peri.com